



User's Guide

We Listen, We Act!

The following are basic recommendation for proper maintenance and installation of Allegheny Valve & Coupling, Inc. Aluminum Cast Coupling 30344 series 2", 3" and 4"

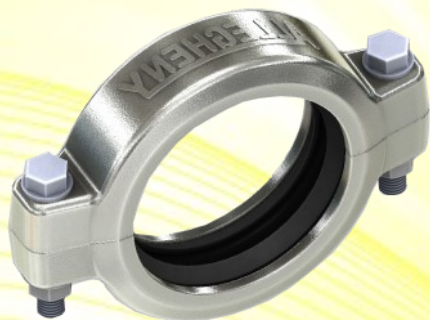


- For ease of installation and to prevent damaging the gasket, thoroughly lubricate the gasket and the ends of the pipe and fittings. Be aware to use Lubricant compatible with gasket.
- Tighten the bolts of the Coupling evenly to prevent damaging the gasket and coupling. DO NOT tighten one side then the other.
- Couplings are designed to hold two pipes or fittings together, not to compensate for misaligned piping or to carry the weight of the piping. Not using a proper piping support may result in coupling to fail.
- Visually inspect in service couplings periodically and replace them when needed.



* To avoid serious personal injuries, before replacing the Coupling, be sure the pipeline is depressurized and drained.
 * Always wear your personal protective equipment.

Size [in]	Working Pressure	
	[psi]	[bar]
2	250	17
3	250	17
4	200	13.5

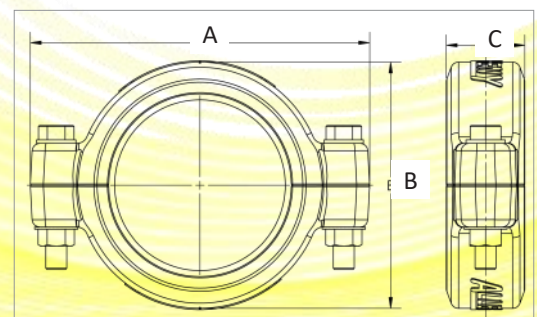


Black Buna-N Gasket		Green FKM Gasket
Part #	Size [in]	Part #
30354	2	30354V
30344	3	30344V
30364	4	30364V



Dimensions

Size [in]	Weight		O.D.		A		B		C	
	[lb]	[kg]	[in]	[mm]	[in]	[mm]	[in]	[mm]	[in]	[mm]
2	1.352	0.62	2 ³ / ₈	60.33	5 ⁹ / ₃₂	134.14	3 ³⁵ / ₆₄	90.10	1 ⁷ / ₈	47.63
3	1.406	0.64	3 ¹ / ₂	88.90	6 ²¹ / ₃₂	169.07	4 ⁴³ / ₆₄	118.67	1 ⁵³ / ₆₄	46.44
4	2.442	1.11	4 ¹ / ₂	114.30	8 ¹ / ₈	206.38	5 ⁷ / ₈	149.23	1 ⁷ / ₈	47.63



814.723.8150

sales@alleghenycoupling.com

