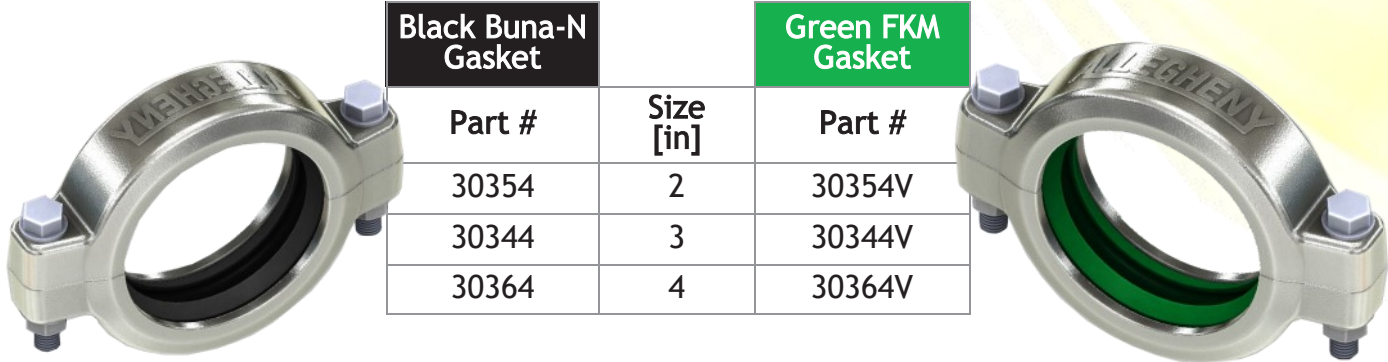


# Mark IV Cast Aluminum Couplings

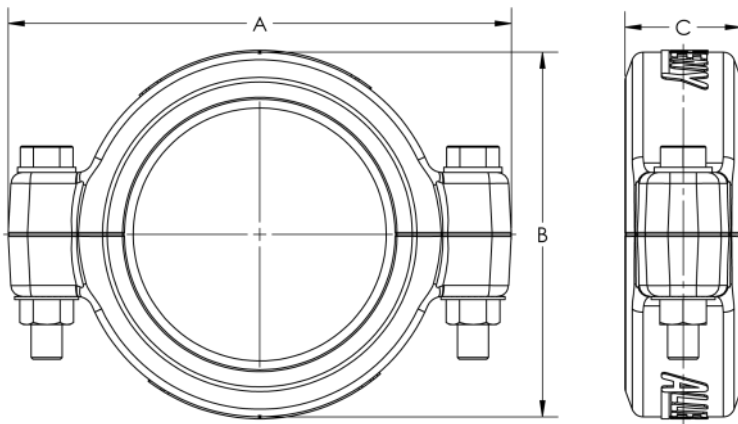
## Features:

- Strong cast aluminum coupling
- 500++psi unrestrained burst pressure
- Wrenchable track bolts for easy installation



	Black Buna-N Gasket		Green FKM Gasket
	Part #	Size [in]	Part #
	30354	2	30354V
	30344	3	30344V
	30364	4	30364V

## Dimensions



 REQUEST QUOTE

Size [in]	Weight		O.D.		A		B		C	
	[lb]	[kg]	[in]	[mm]	[in]	[mm]	[in]	[mm]	[in]	[mm]
2	1.352	0.62	2 <sup>3</sup> / <sub>8</sub>	60.33	5 <sup>9</sup> / <sub>32</sub>	134.14	3 <sup>35</sup> / <sub>64</sub>	90.10	1 <sup>7</sup> / <sub>8</sub>	47.63
3	1.406	0.64	3 <sup>1</sup> / <sub>2</sub>	88.90	6 <sup>21</sup> / <sub>32</sub>	169.07	4 <sup>43</sup> / <sub>64</sub>	118.67	1 <sup>53</sup> / <sub>64</sub>	46.44
4	2.442	1.11	4 <sup>1</sup> / <sub>2</sub>	114.30	8 <sup>1</sup> / <sub>8</sub>	206.38	5 <sup>7</sup> / <sub>8</sub>	149.23	1 <sup>7</sup> / <sub>8</sub>	47.63



814.723.8150

sales@allegheycoupling.com

